

बिड दस्तावेज़ / Bid Document

बिड विवरण / Bid Details	
बिड बंद होने की तारीख/समय / Bid End Date/Time	22-04-2026 17:00:00
बिड खुलने की तारीख/समय / Bid Opening Date/Time	22-04-2026 17:30:00
बिड पेशकश वैधता (बंद होने की तारीख से) / Bid Offer Validity (From End Date)	75 (Days)
मंत्रालय/राज्य का नाम / Ministry/State Name	Ministry Of Chemicals And Fertilizers
विभाग का नाम / Department Name	Department Of Fertilizers
संगठन का नाम / Organisation Name	Rashtriya Chemicals And Fertilizers Limited (rcf)
कार्यालय का नाम / Office Name	Thal
कुल मात्रा / Total Quantity	100
वस्तु श्रेणी / Item Category	AMIDE ANALYSIS AMPULE , AMMONIA SAMPLE HEADS
GeMARPTS में खोजी गई स्ट्रिंग्स / Searched Strings used in GeMARPTS	AMMONIA SAMPLE HEADS AS PER DRAWING ATTCAHED
GeMARPTS में खोजा गया परिणाम / Searched Result generated in GeMARPTS	Radiator as per Drawing (BHEL), Modular Cold Rooms, Armature as per Drawing (BHEL), M S Casing For Pulverised Fuel Mill (BHEL), Ammonia, Liquor / Ammonium Hydroxide as per IS 799, Field Hockey Sticks as per IS 829, Drawing Pins (V3) as per IS 5205, Shaft and Shaft Assembly as per Drawing (RCF), Wooden Packing Cases and Crates (as per BHEL drawings), Respirable Dust Sampler as per IS 5182
अधिसूचना के लिए चयनित प्रासंगिक श्रेणियाँ / Relevant Categories selected for notification	<ul style="list-style-type: none"> Ammonia Buffer Solution
एमएसएमई के लिए अनुभव के वर्षों और टर्नओवर से छूट प्रदान की गई है / MSE Relaxation for Years of Experience and Turnover	No
स्टार्टअप के लिए अनुभव के वर्षों और टर्नओवर से छूट प्रदान की गई है / Startup Relaxation for Years of Experience and Turnover	No
विक्रेता से मांगे गए दस्तावेज़ / Document required from seller	Additional Doc 1 (Requested in ATC), Additional Doc 2 (Requested in ATC), Additional Doc 3 (Requested in ATC), Additional Doc 4 (Requested in ATC) *In case any bidder is seeking exemption from Experience / Turnover Criteria, the supporting documents to prove his eligibility for exemption must be uploaded for evaluation by the buyer

बिड विवरण/Bid Details	
क्या आप निविदाकारों द्वारा अपलोड किए गए दस्तावेजों को निविदा में भाग लेने वाले सभी निविदाकारों को दिखाना चाहते हैं? संदर्भ मेनू है/Do you want to show documents uploaded by bidders to all bidders participated in bid?	No
बिड लगाने की समय सीमा स्वतः नहीं बढ़ाने के लिए आवश्यक बिड की संख्या। / Minimum number of bids required to disable automatic bid extension	3
दिनों की संख्या, जिनके लिए बिड लगाने की समय-सीमा बढ़ाई जाएगी। / Number of days for which Bid would be auto-extended	3
ऑटो एक्सटेंशन अधिकतम कितनी बार किया जाना है। / Number of Auto Extension count	2
बिड से रिवर्स नीलामी सक्रिय किया/Bid to RA enabled	No
बिड का प्रकार/Type of Bid	Single Packet Bid
प्राथमिक उत्पाद श्रेणी/Primary product category	AMIDE ANALYSIS AMPULE
तकनीकी मूल्यांकन के दौरान तकनीकी स्पष्टीकरण हेतु अनुमत समय /Time allowed for Technical Clarifications during technical evaluation	2 Days
निरीक्षण आवश्यक (सूचीबद्ध निरीक्षण प्राधिकरण /जेम के साथ पूर्व पंजीकृत एजेंसियों द्वारा)/Inspection Required (By Empanelled Inspection Authority / Agencies pre-registered with GeM)	No
मूल्यांकन पद्धति/Evaluation Method	Total value wise evaluation
मध्यस्थता खंड/Arbitration Clause	No
सुलह खंड/Mediation Clause	No

ईएमडी विवरण/EMD Detail

आवश्यकता/Required	No
-------------------	----

ईपीबीजी विवरण /ePBG Detail

आवश्यकता/Required	No
-------------------	----

बोली विभाजन लागू नहीं किया गया/ Bid splitting not applied.

एमआईआई खरीद वरीयता/MII Purchase Preference

एमआईआई खरीद वरीयता/MII Purchase Preference	No
--	----

एमएसई खरीद वरीयता/MSE Purchase Preference

एमएसई खरीद वरीयता/MSE Purchase Preference	Yes
सूक्ष्म और लघु उद्यम मूल उपकरण निर्माताओं को खरीद में प्राथमिकता, यदि उनका मूल्य L1+X% तक की सीमा में हो / Purchase Preference to MSE OEMs available upto price within L1+X%	15
सूक्ष्म और लघु उद्यम को खरीद में प्राथमिकता के लिए बिड की मात्रा का अधिकतम प्रतिशत / Maximum Percentage of Bid quantity for MSE purchase preference	25

1. Purchase preference will be given to MSEs having valid Udyam Registration and whose credentials are validated online through Udyam Registration portal as defined in Public Procurement Policy for Micro and Small Enterprises (MSEs) Order, 2012 dated 23.03.2012 issued by Ministry of Micro, Small and Medium Enterprises and its subsequent Orders/Notifications issued by concerned Ministry. If the bidder wants to avail themselves of the Purchase preference, the bidder must be the manufacturer / OEM of the offered product on GeM. Traders are excluded from the purview of Public Procurement Policy for Micro and Small Enterprises and hence resellers offering products manufactured by some other OEM are not eligible for any purchase preference. In respect of bid for Services, the bidder must be the Service provider of the offered Service. Relevant documentary evidence in this regard shall be uploaded along with the bid in respect of the offered product or service and Buyer will decide eligibility for purchase preference based on documentary evidence submitted, while evaluating the bid. If L-1 is not an MSE and MSE Seller (s) has / have quoted price within L-1+ 15% (Selected by Buyer) of margin of purchase preference /price band defined in relevant policy, such MSE Seller shall be given opportunity to match L-1 price and contract will be awarded for 25% (selected by Buyer) percentage of total quantity. The buyers are advised to refer the OM No. F.1/4/2021-PPD dated 18.05.2023 [OM No.1 4 2021 PPD dated 18.05.2023](#) for compliance of Concurrent application of Public Procurement Policy for Micro and Small Enterprises Order, 2012 and Public Procurement (Preference to Make in India) Order, 2017. Benefits of MSE will be allowed only if seller is validated on-line in GeM profile as well as validated and approved by Buyer after evaluation of documents submitted.

2. Estimated Bid Value indicated above is being declared solely for the purpose of guidance on EMD amount and for determining the Eligibility Criteria related to Turn Over, Past Performance and Project / Past Experience etc. This has no relevance or bearing on the price to be quoted by the bidders and is also not going to have any impact on bid participation. Also this is not going to be used as a criteria in determining reasonableness of quoted prices which would be determined by the buyer based on its own assessment of reasonableness and based on competitive prices received in Bid / RA process.

AMIDE ANALYSIS AMPULE (50 pieces)

तकनीकी विशिष्टियाँ /Technical Specifications

क्रेता विशिष्टि दस्तावेज़ /Buyer Specification Document	Download
---	--------------------------

परेषिती/रिपोर्टिंग अधिकारी तथा मात्रा/Consignees/Reporting Officer and Quantity

क्र.सं./S.N o.	परेषिती/रिपोर्टिंग अधिकारी /Consignee Reporting/Officer	पता/Address	मात्रा /Quantity	डिलीवरी के दिन/Delivery Days
1	Rahul Vitthalrao Jadhav	402208,STORES, RCF Ltd Thal, Alibag, District Raigad	50	45

AMMONIA SAMPLE HEADS (50 pieces)

तकनीकी विशिष्टियाँ /Technical Specifications

क्रेता विशिष्टि दस्तावेज़ /Buyer Specification Document	Download
--	--------------------------

परेषिती/रिपोर्टिंग अधिकारी तथा मात्रा/Consignees/Reporting Officer and Quantity

क्र.सं./S.N o.	परेषिती/रिपोर्टिंग अधिकारी /Consignee Reporting/Officer	पता/Address	मात्रा /Quantity	डिलीवरी के दिन/Delivery Days
1	Rahul Vitthalrao Jadhav	402208,STORES, RCF Ltd Thal, Alibag, District Raigad	50	45

क्रेता द्वारा जोड़ी गई बिड की विशेष शर्तें/Buyer Added Bid Specific Terms and Conditions

1. Buyer Added Bid Specific ATC

Buyer Added text based ATC clauses

NOTE FOR BIDDER:

SUPPLY OF MATERIAL AS PER FOLLOWING SPECIFICATIONS:

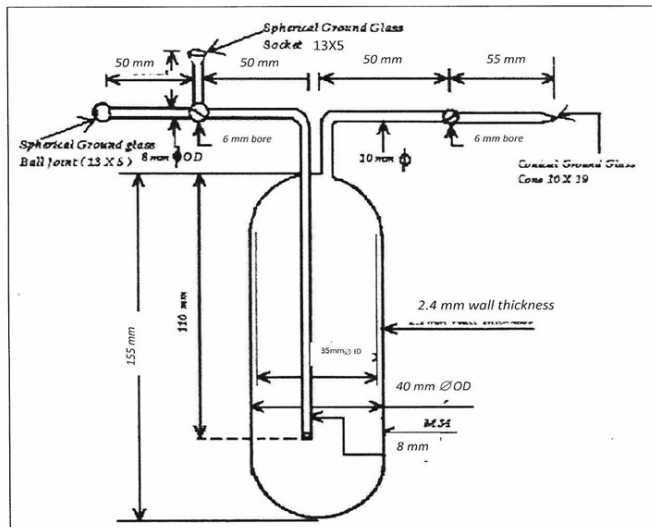
Item Nu mber	Item Code	Item Description	Item Qt y.	UOM
1	300124728	AMIDE ANALYSIS AMPULE AS PER DRAWING	50	NO
2	300020085	AMMONIA SAMPLE HEADS AS PER DRAWING	50	NO
Signature & Stamp				

Drawing for item no. 1:

Bidder take note and supply accordingly

Item no. 1

Annexure - 1



Amide ampoule drawing

Note :

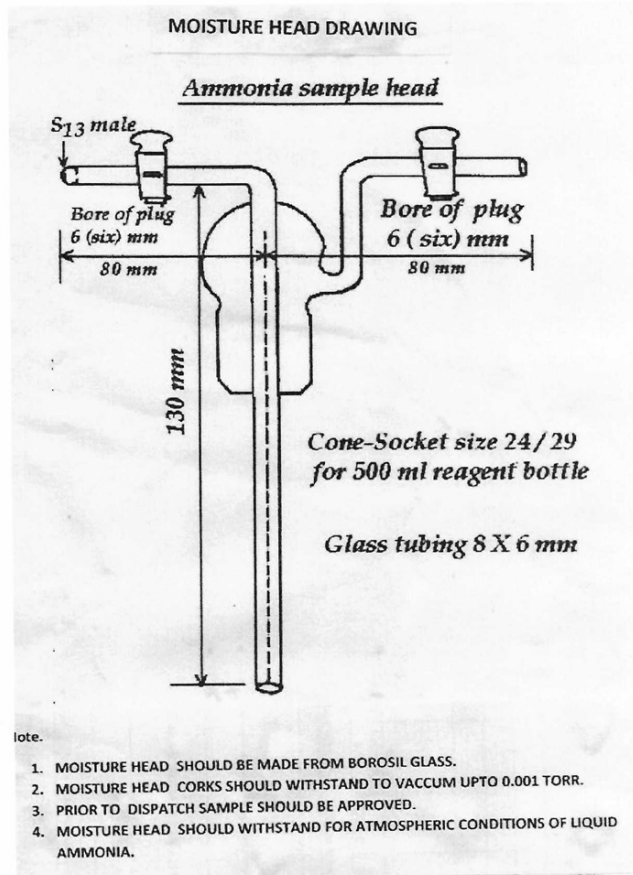
1. Ampoule should be made from borosil Glass
2. Ampoule cork should withstand to vacuum up to 0.001 torr
3. Prior to dispatch sample should be approved
4. Ampoules should withstand for atmospheric conditions of liquid ammonia

Drawing for item no. 2:

Bidder take note and supply accordingly

Item no. 2

Annexure - II



Note to the Vendor:

For item No. 1 (Ampoules (Borosilicate) for amide analysis):

1. Ampoule should be made from Borosil Glass
2. Ampoule cork should withstand to vacuum up to 0.001 torr
3. Prior to dispatch sample should be approved
4. Ampoules should withstand for atmospheric conditions of liquid ammonia

For item No. 2 (Ammonia sample head):

- 1) Moisture head should be made from Borosil glass
- 2) Moisture head corks should withstand vacuum up to 0.001 torr.
- 3) Prior to dispatch sample should be approved.
- 4) Moisture head should withstand for atmospheric conditions of liquid ammonia

- 1) Thickness of burette wall is 1.6 mm
- 2) All dimensions are in mm.

Part No :

1) (1) oblique bore stop cock with 4 mm bore

2) (2) 4mm capillary with 2.5 mm wall thickness

Invoice shall be raised in the name of consignee having GSTIN No. 27AAAGH0282C1ZV IN FAVOUR OF THAL AMMONIA EXTENSION PLANT .

*** Following documents to be submitted for qualification of your offer:**

1. Read carefully the technical bid and Signed and stamped copy of Technical Bid.
2. Signed and stamped copy of duly filled No Deviation Certificate and buyer added atc. (Annexure-A).

*** Disputes and Arbitration Clause:**

a. Arbitration in case of Domestic vendor

In case of any dispute, difference, or question which may at any time arise between the parties hereto or any person claiming under them, touching or arising out of or in respect of this agreement or the subject matter thereof shall be referred to the arbitration. Both the parties shall appoint the sole arbitrator with mutual agreement in line with the Arbitration and Conciliation Act, 1996. The provisions of the Arbitration and Conciliation Act, 1996 and as amended from time to time shall apply to the proceedings conducted under the arbitration. In case the party (parties) fail to appoint the sole arbitrator within 30 days from the date of request, the requesting party may approach the Court of Competent jurisdiction to appoint an Arbitrator.

The decision of such arbitrator shall be final and binding on the parties. The venue of Arbitration shall be at Mumbai. The language of the Arbitration shall be English.

b. Arbitration in case of foreign vendor

Any dispute arising out of or in connection with this contract, including any question regarding its existence, validity or termination, shall be referred to and finally resolved by arbitration administered by the Singapore International Arbitration Centre ("SIAC") in accordance with the Arbitration Rules of the Singapore International Arbitration Centre ("SIAC Rules") for the time being in force, which rules are deemed to be incorporated by reference in this clause. The seat of the arbitration shall be Singapore. The Tribunal shall consist of Sole arbitrator. The language of the arbitration shall be English.

c. Arbitration in case of PSU/Govt vendor

In the event of any dispute or difference relating to the interpretation and application of the provisions of commercial contract(s) between Central Public Sector Enterprises (CPSEs)/ Port Trusts inter se and also between CPSEs and Government Departments/ Organizations (excluding disputes concerning Railways, Income Tax, Customs & Excise Departments), such dispute or difference shall be taken up by either party for resolution through AMRCD as mentioned in DPE OM No. 4(1)/2013-DPE(GM)/FTS-1835 dated 22-05-2018.

Additional Information:

1. The rates quoted shall be inclusive of all taxes, duties, freight, Insurance and any other statutory charges.

2. Any communication shall be done to mail ID hemant.rao@rcfltd.com/ gshaha@rcfltd.com/ gnwarudkar@rcfltd.com
3. Grievances during Tendering Process :

Any supplier, contractor, or consultant who claims to have suffered or is likely to suffer loss or injury due to a decision, action, or omission by RCF, may submit a review application to the following e-Mail ID:

GC-THAL-PUR@rcfltd.com

The review application against subject tender can only be submitted by bidder who have applied against tender.

2. Buyer Added Bid Specific ATC

Buyer uploaded ATC document [Click here to view the file.](#)

3. Generic

Bidders are advised to check applicable GST on their own before quoting. Buyer will not take any responsibility in this regards. GST reimbursement will be as per actuals or as per applicable rates (whichever is lower), subject to the maximum of quoted GST %.

4. Generic

Bidder shall submit the following documents along with their bid for Vendor Code Creation:

- a. Copy of PAN Card.
- b. Copy of GSTIN.
- c. Copy of Cancelled Cheque.
- d. Copy of EFT Mandate duly certified by Bank.

5. Generic

Supplier shall ensure that the Invoice is raised in the name of Consignee with GSTIN of Consignee only.

6. Generic

While generating invoice in GeM portal, the seller must upload scanned copy of GST invoice and the screenshot of GST portal confirming payment of GST.

अस्वीकरण/Disclaimer

The additional terms and conditions have been incorporated by the Buyer after approval of the Competent Authority in Buyer Organization, whereby Buyer organization is solely responsible for the impact of these clauses on the bidding process, its outcome, and consequences thereof including any eccentricity / restriction arising in the bidding process due to these ATCs and due to modification of technical specifications and / or terms and conditions governing the bid. If any clause(s) is / are incorporated by the Buyer regarding following, the bid and resultant contracts shall be treated as null and void and such bids may be cancelled by GeM at any stage of bidding process without any notice:-

1. Definition of Class I and Class II suppliers in the bid not in line with the extant Order / Office Memorandum issued by DPIIT in this regard.
2. Seeking EMD submission from bidder(s), including via Additional Terms & Conditions, in contravention to exemption provided to such sellers under GeM GTC.

3. Publishing Custom / BOQ bids for items for which regular GeM categories are available without any Category item bunched with it.
4. Creating BoQ bid for single item.
5. Mentioning specific Brand or Make or Model or Manufacturer or Dealer name.
6. Mandating submission of documents in physical form as a pre-requisite to qualify bidders.
7. Floating / creation of work contracts as Custom Bids in Services.
8. Seeking sample with bid or approval of samples during bid evaluation process. (However, in bids for [attached categories](#), trials are allowed as per approved procurement policy of the buyer nodal Ministries)
9. Mandating foreign / international certifications even in case of existence of Indian Standards without specifying equivalent Indian Certification / standards.
10. Seeking experience from specific organization / department / institute only or from foreign / export experience.
11. Creating bid for items from irrelevant categories.
12. Incorporating any clause against the MSME policy and Preference to Make in India Policy.
13. Reference of conditions published on any external site or reference to external documents/clauses.
14. Asking for any Tender fee / Bid Participation fee / Auction fee in case of Bids / Forward Auction, as the case may be.
15. Buyer added ATC Clauses which are in contravention of clauses defined by buyer in system generated bid template as indicated above in the Bid Details section, EMD Detail, ePBG Detail and MII and MSE Purchase Preference sections of the bid, unless otherwise allowed by GeM GTC.
16. In a category based bid, adding additional items, through buyer added additional scope of work/ additional terms and conditions/or any other document. If buyer needs more items along with the main item, the same must be added through bunching category based items or by bunching custom catalogs or bunching a BoQ with the main category based item, the same must not be done through ATC or Scope of Work.

Further, if any seller has any objection/grievance against these additional clauses or otherwise on any aspect of this bid, they can raise their representation against the same by using the Representation window provided in the bid details field in Seller dashboard after logging in as a seller within 4 days of bid publication on GeM. Buyer is duty bound to reply to all such representations and would not be allowed to open bids if he fails to reply to such representations.

All GeM Sellers/Service Providers shall ensure full compliance with all applicable labour laws, including the provisions, rules, schemes and guidelines under the four Labour Codes i.e. the Code on Wages, 2019; the Industrial Relations Code, 2020; the Occupational Safety, Health and Working Conditions Code, 2020; and the Code on Social Security, 2020 as and when notified and brought into force by the Government of India.

For all provisions of the Labour Codes that are pending operationalisation through rules, schemes or notifications, the corresponding provisions of the pre-existing labour enactments (such as The Minimum Wages Act, 1948, The Payment of Wages Act, 1936, The Payment of Bonus Act, 1965, The Equal Remuneration Act, 1976, The Payment of Gratuity Act, 1972, etc. and relevant State Rules) shall continue to remain applicable.

The Seller/ Service Providers shall, therefore, be responsible for ensuring compliance under:

- **All notified and enforceable provisions of the new Labour Codes as mentioned hereinabove; and**
- **All operative provisions of the erstwhile Labour Laws until their complete substitution.**

All obligations relating to wages, social security, safety, working conditions, industrial relations etc. and any other statutory requirements shall be strictly met by the Seller/ Service Provider. Any non-compliance shall constitute a breach of the contract and shall entitle the Buyer to take appropriate action in accordance with the contract and applicable law.

[यह बिड सामान्य शर्तों के अंतर्गत भी शासित है /This Bid is also governed by the General Terms and Conditions](#)

जेम की सामान्य शर्तों के खंड 26 के संदर्भ में भारत के साथ भूमि सीमा साझा करने वाले देश के बिडर से खरीद पर प्रतिबंध के संबंध में

भारत के साथ भूमि सीमा साझा करने वाले देश का कोई भी बिडर इस निविदा में बिड देने के लिए तभी पात्र होगा जब वह बिड देने वाला सक्षम प्राधिकारी के पास पंजीकृत हो। बिड में भाग लेते समय बिडर को इसका अनुपालन करना होगा और कोई भी गलत घोषणा किए जाने व इसका अनुपालन न करने पर अनुबंध को तत्काल समाप्त करने और कानून के अनुसार आगे की कानूनी कार्रवाई का आधार होगा।/In terms of GeM GTC clause 26 regarding Restrictions on procurement from a bidder of a country which shares a land border with India, any bidder from a country which shares a land border with India will be eligible to bid in this tender only if the bidder is registered with the Competent Authority. While participating in bid, Bidder has to undertake compliance of this and any false declaration and non-compliance of this would be a ground for immediate termination of the contract and further legal action in accordance with the laws.

---धन्यवाद/Thank You---